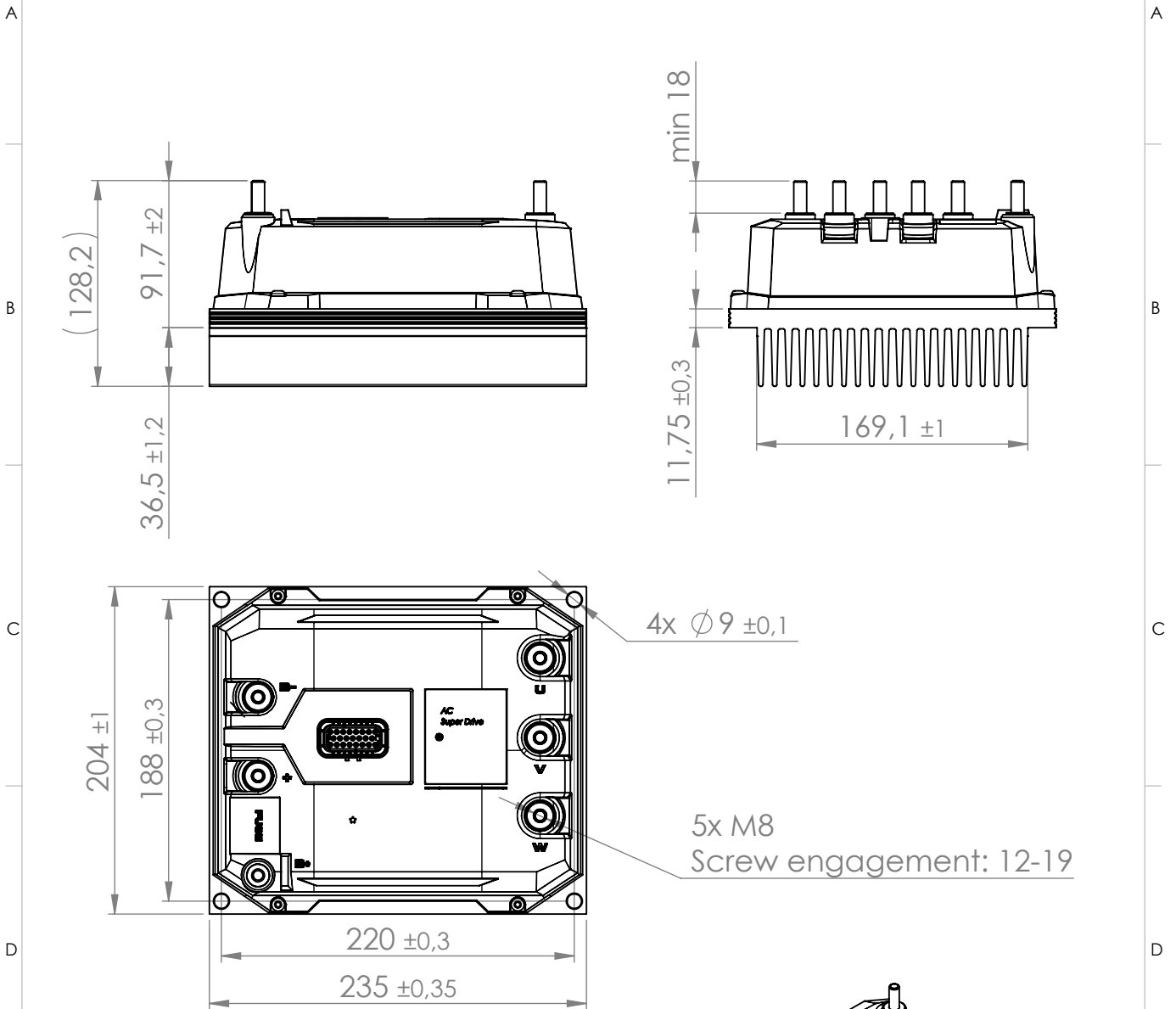
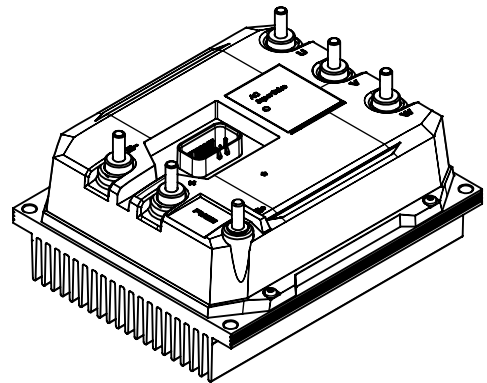


Rev	Change note (from PDMW)	Changed	Date
02	Updated dimensions on long side view, to reference mounting side of heatsink flange.	SHM	2016-03-02



Drawing notes:

1. See 3D-model for further details.
2. I/O connector versions:
 - a. 23 pos AMP seal blk
 - b. 35 pos AMP seal blk
3. Weight +/- 10%.
4. Fuse connection (M8) is optional.
5. Studs (5x M8) at terminals are optional.



Material:

Surface Treatment:

Description

Standard ACS M/L/XL Heatsink F

Status released	Initial Designer CEM	Weight 5.3 kg	General Tolerance	General Roughness Ra:	Units mm
---------------------------	--------------------------------	-------------------------	-------------------	---------------------------------	--------------------

Document No. MC000809A	Rev 02	Page No. 1(1)	Projection View
----------------------------------	------------------	-------------------------	---------------------