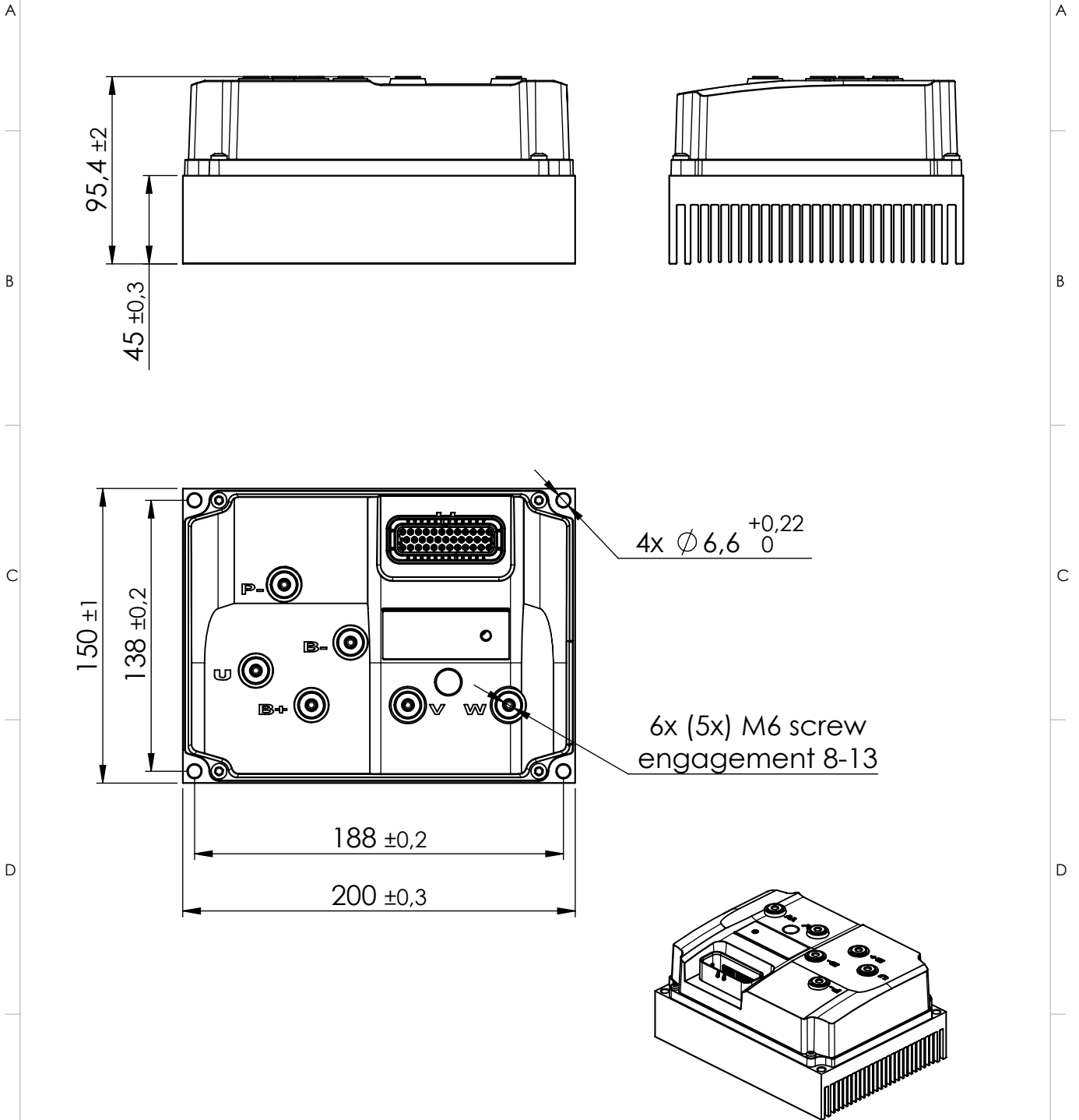


Rev	Change note (from PDMW)	Changed	Date
01	First release.	LHN	2018-01-31



- Drawing notes:
1. See 3D-model for further details.
 2. Weight $\pm 10\%$
 3. Pump (P-) connection is optional.

Material:

Surface Treatment:

Description
Standard ACS G7 S Heatsink T

Status released	Initial Designer LHN	Weight 2.4 kg	General Tolerance -	General Roughness Ra:	Units mm
--------------------	-------------------------	------------------	------------------------	--------------------------	-------------

	Document No.	Rev	Page No.	Projection View
	MC001872C	01	1(1)	