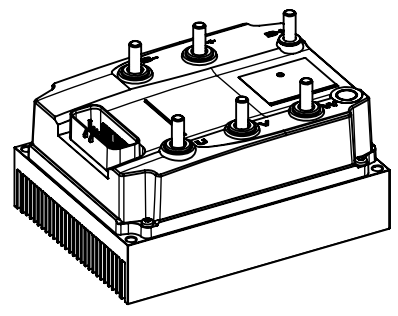
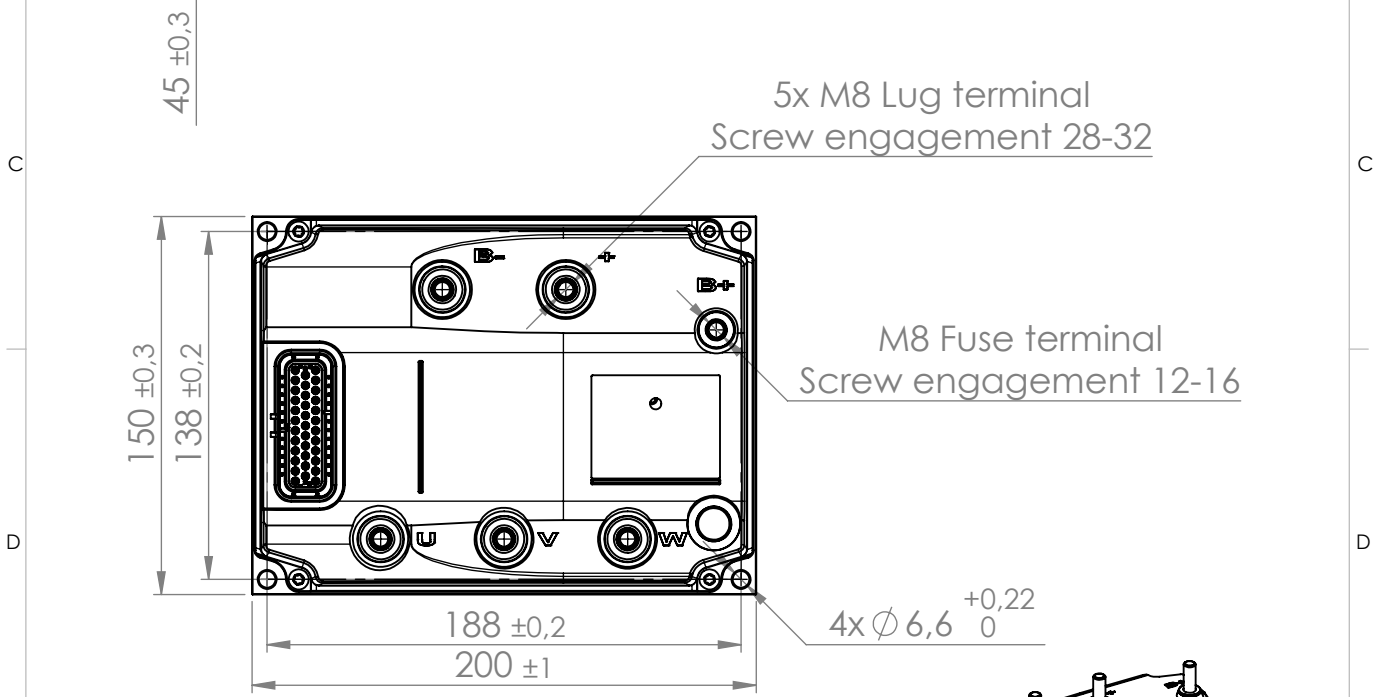
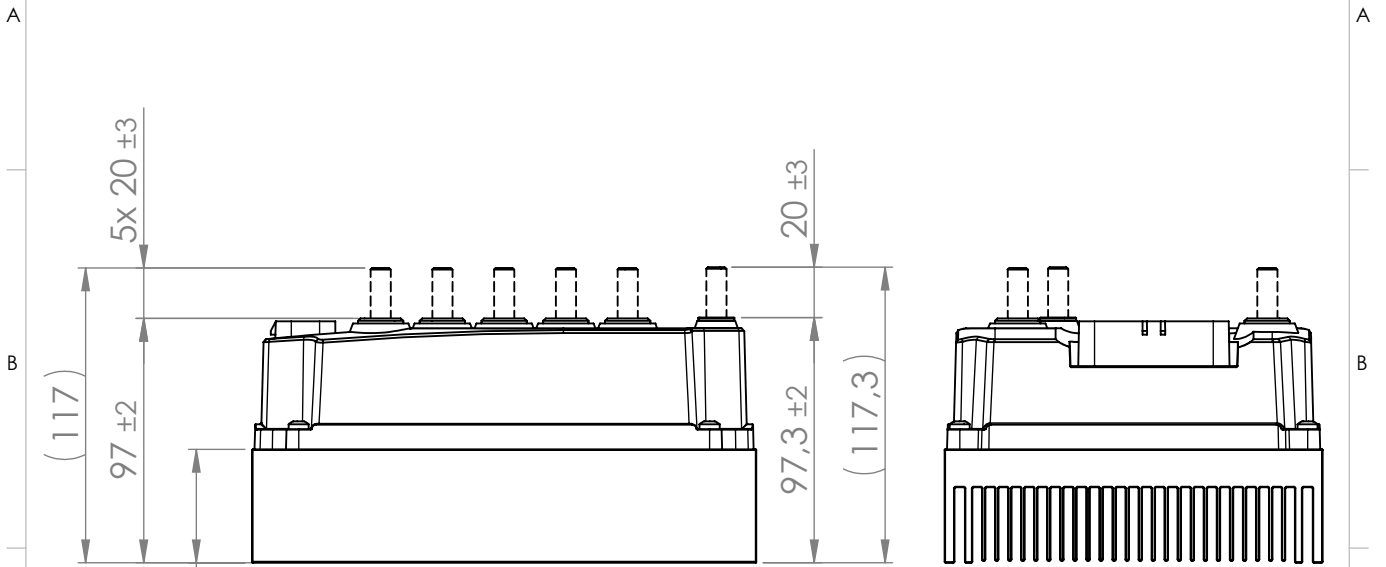


| | | | |
|-----|-------------------------|---------|------------|
| Rev | Change note (from PDMW) | Changed | Date |
| 02 | Studs added. | JHD | 2019-02-18 |



Drawing notes:

1. See 3D-model for further details.
2. Weight $\pm 10\%$.
3. I/O connector versions:
a) 23 pos AMP seal blk
b) 35 pos AMP seal blk
4. M8 stud for lug and fuse terminal are optional.

Material:

Surface Treatment:

Description
Standard ACS G7 M Heatsink T

| | | | | | |
|--------------------|-------------------------|------------------|------------------------|--------------------------|-------------|
| Status released | Initial Designer LHN | Weight 2.6 kg | General Tolerance - | General Roughness Ra: | Units mm |
|--------------------|-------------------------|------------------|------------------------|--------------------------|-------------|

| | | | |
|---------------------------|-----------|------------------|---------------------|
| Document No. MC001738C | Rev 02 | Page No. 1(1) | Projection View |
|---------------------------|-----------|------------------|---------------------|