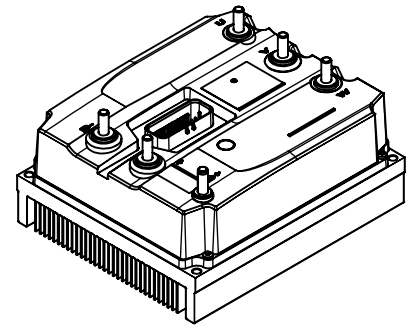
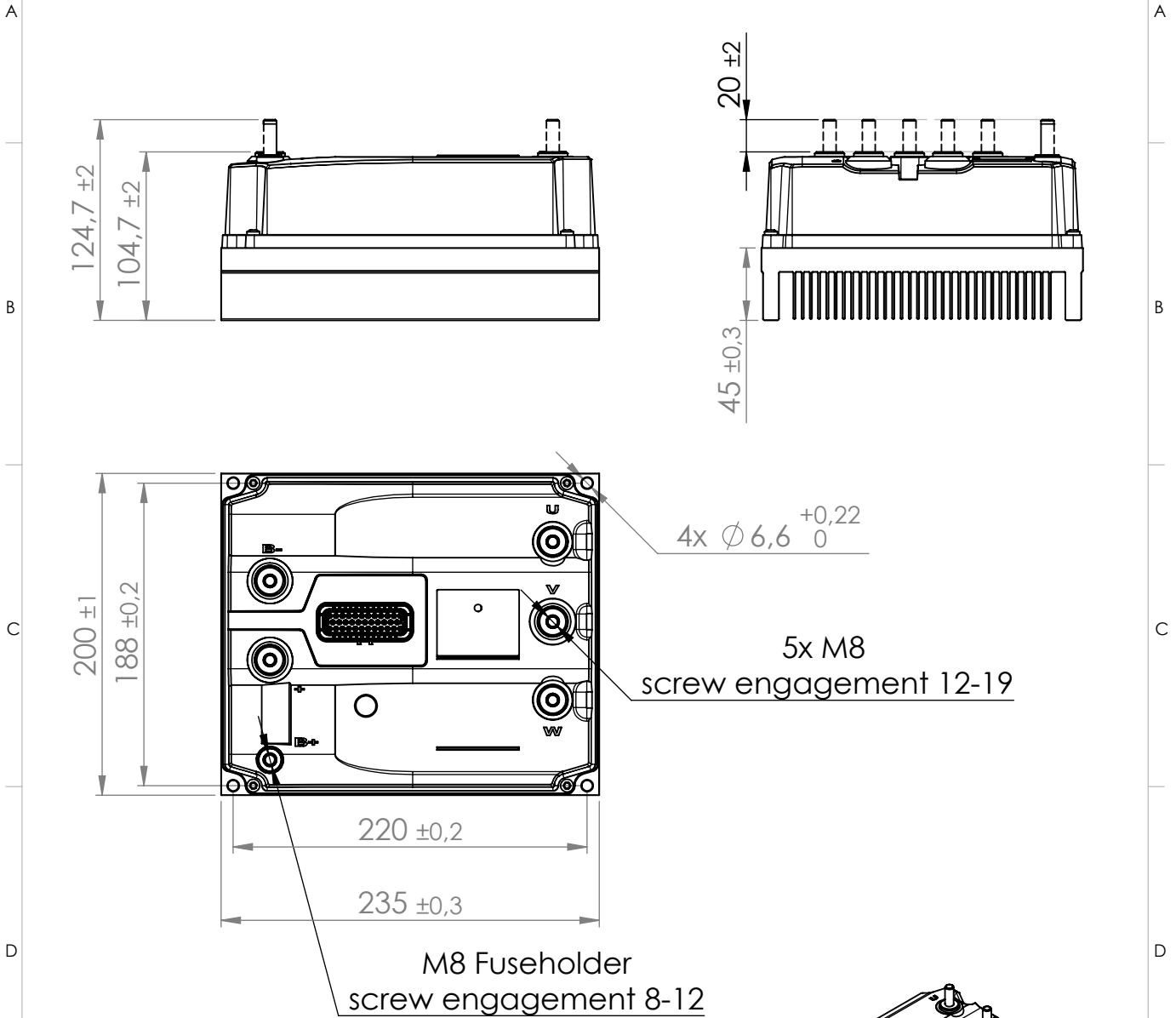


1	2	3	4
Rev	Change note (from PDMW)	Changed	Date
02	Dimensions updated at B1	LHN	2018-10-03



Drawing notes:

1. See 3D-model for further details.
2. I/O connector versions
 - a. 23 pos AMPseal blk.
 - b. 35 pos AMPseal blk.
3. Weight is ± 10%
4. Fuse connection (M8) stud is optional.
5. Studs (5x M8) at terminals are optional.

Material:

Surface Treatment:

Description

Standard ACS G7 L Heatsink Y

Status	Initial Designer	Weight	General Tolerance	General Roughness	Units
released	LHN	4,9kg	-	Ra:	mm

Document No.	Rev	Page No.	Projection View
MC001689A	02	1(1)	