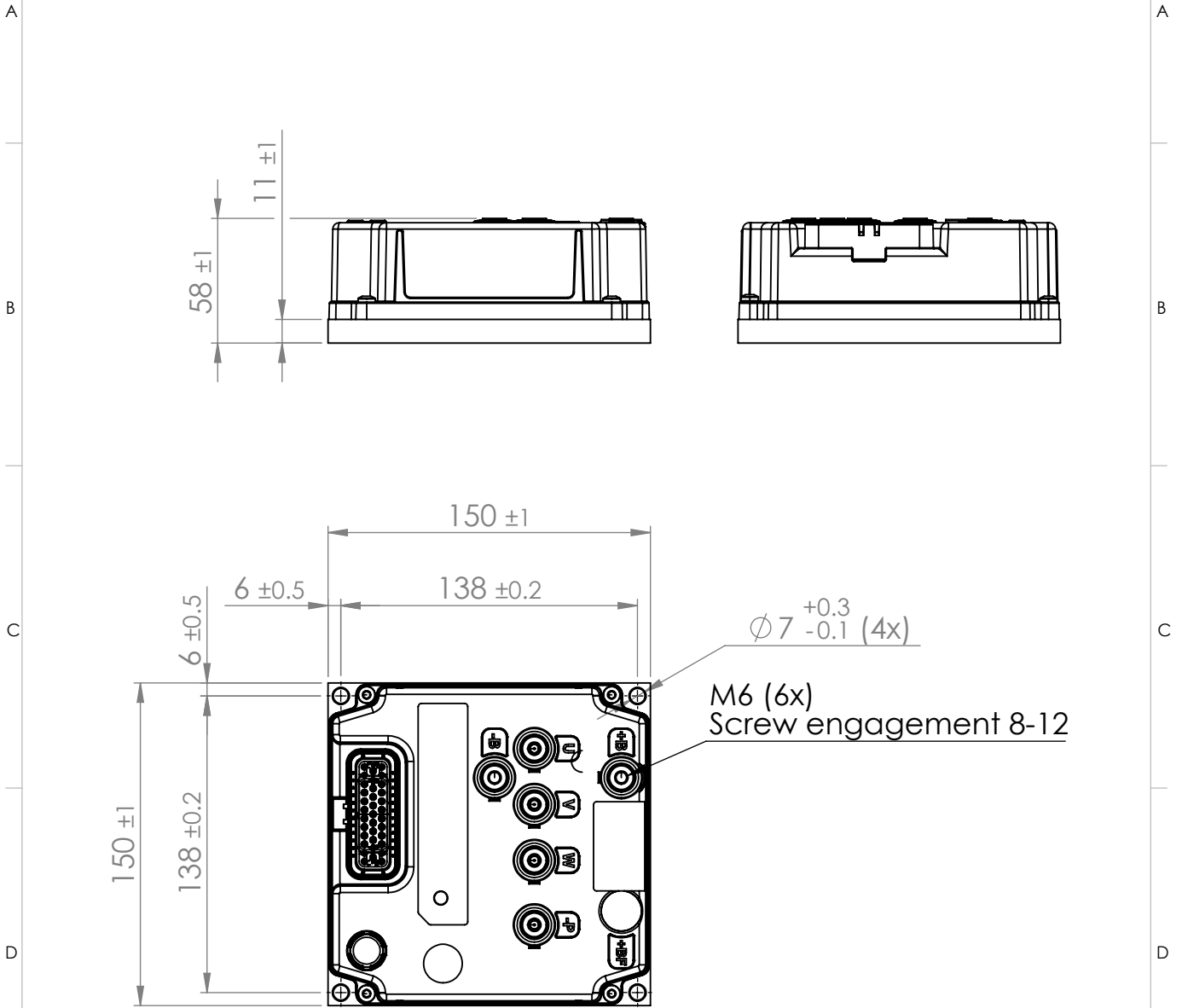
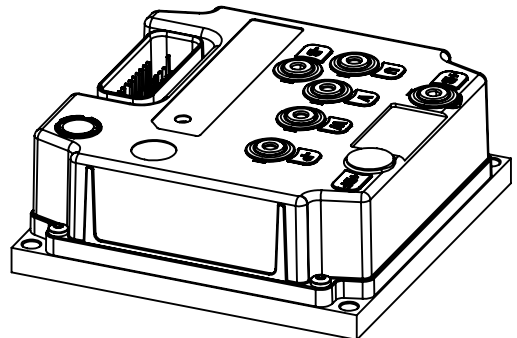


1	2	3	4
Rev	Change note	Changed	Date
01	First release.	JHD	16/06/2020



- Drawing notes:
1. See 3D-model for further details.
 2. I/O connector versions:
35 pos AMPseal blk.
 3. Weight is ±10%.



Material:

-

Surface Treatment:

-

Description

Standard ACS G7 W Combi Heatsink C

Status

released

Initial Designer

JHD

Weight

1,35 kg

General Tolerance

-

General Roughness

Ra: -

Units

mm

F

	Document No.	Rev	Page No.	Projection View
	MC002504A	01	1(1)	