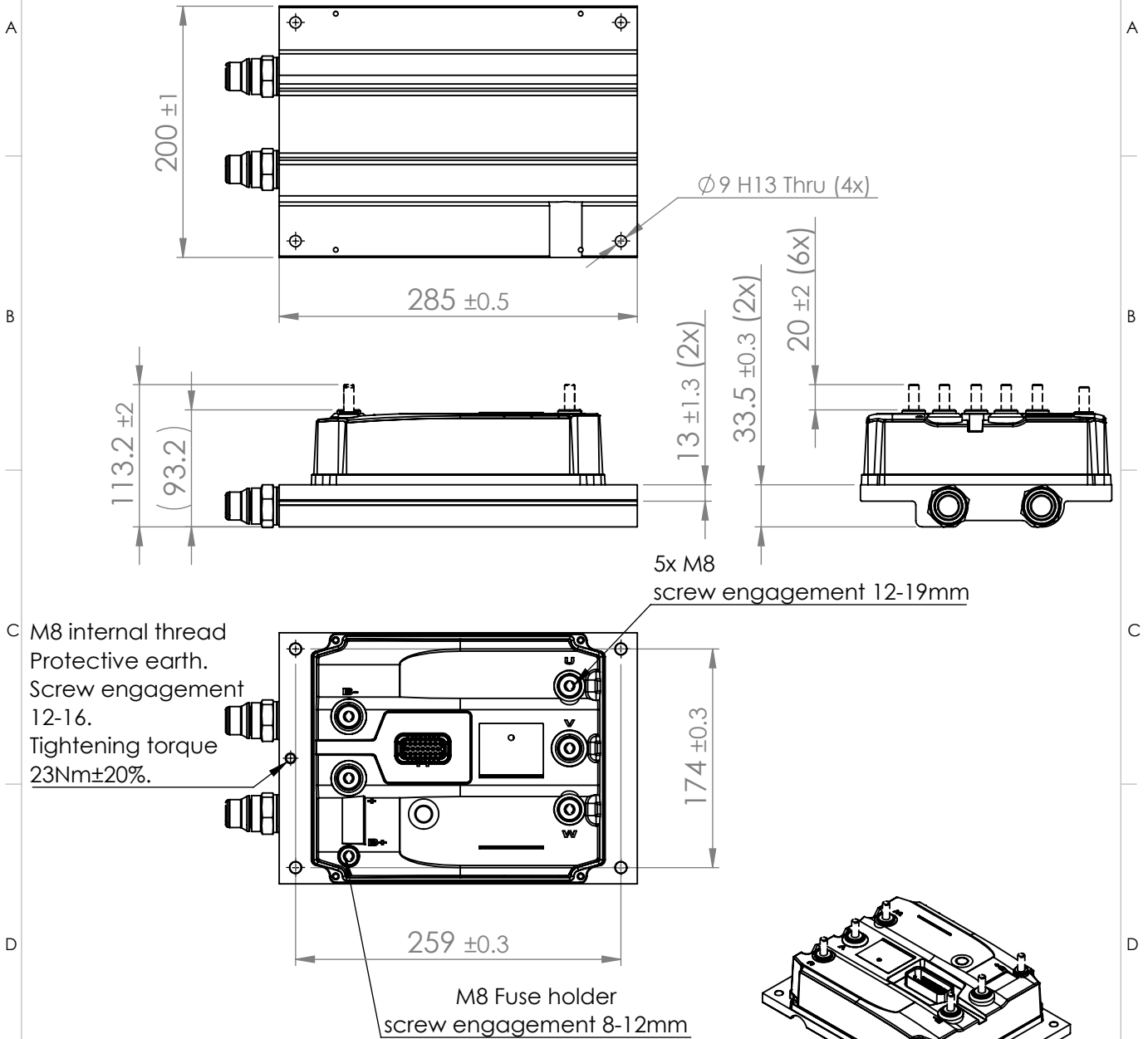


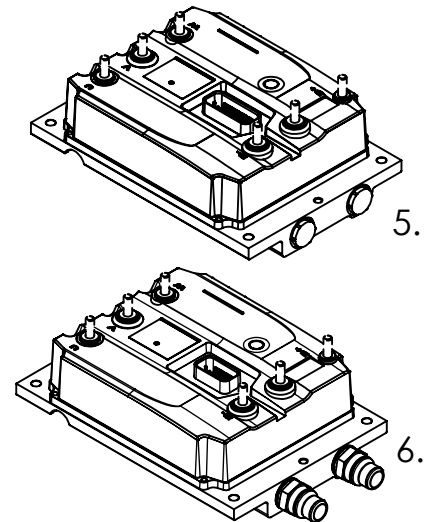
1	2	3	4
Rev	Change note (from PDMW)	Changed	Date
06	259±0,3 was 259±0,2. 174±0,3 was 174±0,2. 13±0,3 removed 2x. 13±1,3 was 13±0,3.	JHD	20/04/2020



M8 internal thread  
Protective earth.  
Screw engagement  
12-16.  
Tightening torque  
23Nm±20%.

Drawing notes:

1. See 3D-model for further details.
2. I/O connector versions
  - a. 23 pos AMPseal blk
  - b. 35 pos AMPseal blk.
3. Weight is ±10%.
4. Studs (6x M8) at terminals are optional.
5. Thread M22x1,5 (2x) with protective cap for transport.
6. Hose nipple are optional (SCHÄFER PS3 Art no. 4006 1172X as an example).



Material:

Surface Treatment:

Description

Standard ACS G7 L Heatsink W

Status released	Initial Designer JHD	Weight 5,2 kg	General Tolerance	General Roughness Ra:	Units mm
--------------------	-------------------------	------------------	-------------------	--------------------------	-------------

Document No. MC002130A	Rev 06	Page No. 1(1)	Projection View 
---------------------------	-----------	------------------	---------------------