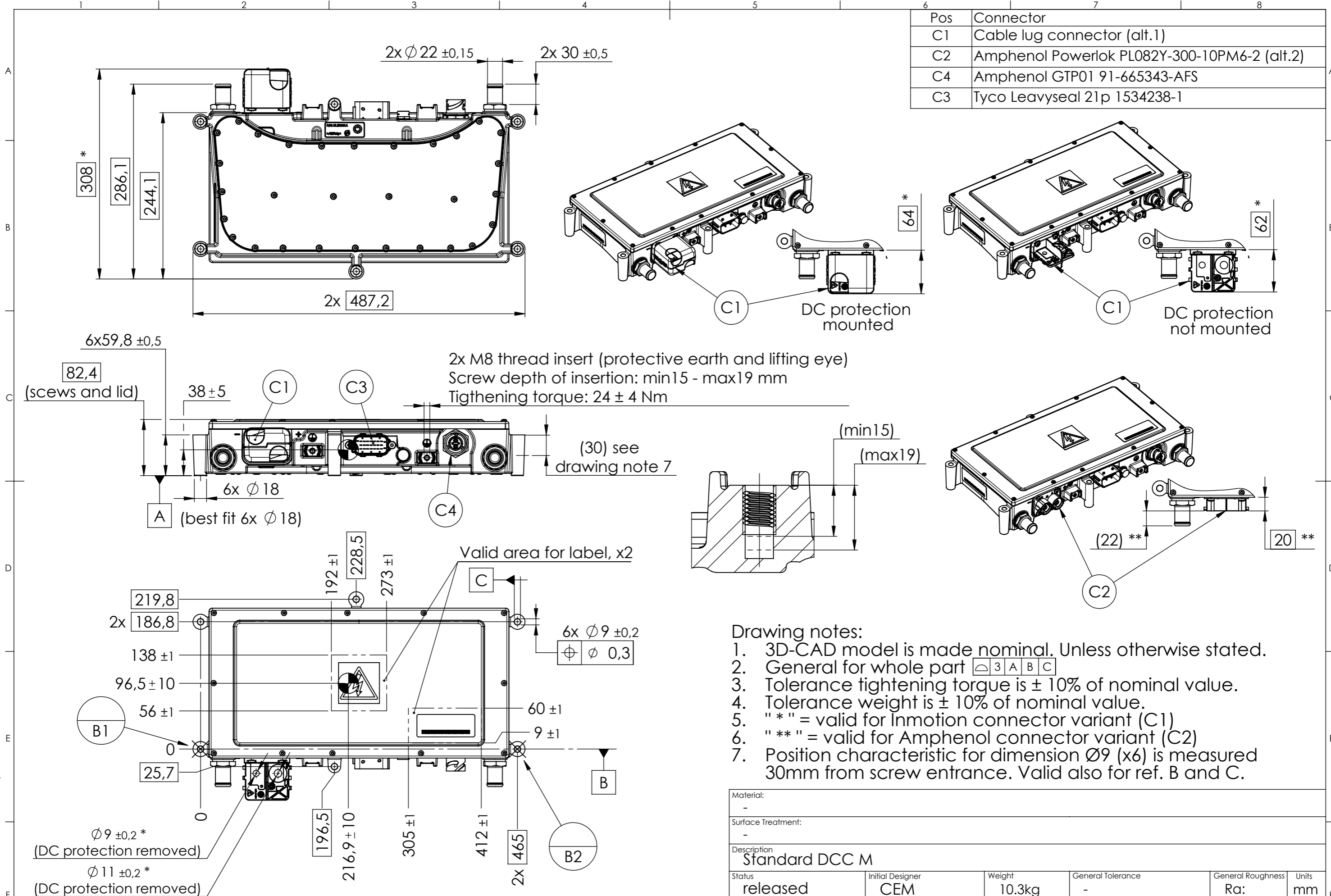


Pos	Connector
C1	Cable lug connector (alt.1)
C2	Amphenol Powerlok PL082Y-300-10PM6-2 (alt.2)
C4	Amphenol GTP01 91-665343-AFS
C3	Tyco Leavysel 21p 1534238-1



- Drawing notes:
- 3D-CAD model is made nominal. Unless otherwise stated.
 - General for whole part $\triangle 3 A B C$
 - Tolerance tightening torque is $\pm 10\%$ of nominal value.
 - Tolerance weight is $\pm 10\%$ of nominal value.
 - "*" = valid for Inmotion connector variant (C1)
 - **" = valid for Amphenol connector variant (C2)
 - Position characteristic for dimension $\phi 9$ (x6) is measured 30mm from screw entrance. Valid also for ref. B and C.

Material: -					
Surface Treatment: -					
Description Standard DCC M					
Status released	Initial Designer CEM	Weight 10.3kg	General Tolerance -	General Roughness Ra:	Units mm

	Document No.	Rev	Page No.	Projection View
	MC001875X	04	1(1)	

Rev	Change note (from PDMW)	Changed	Date
04	Label area added, x2 (pos.E3). Dimension for Amphenol connector updated, 20 was 21.7 and 22 was 20.3 (pos.D7/D8). 308* was 308** (pos.B1). 0,2* was 0,2** (x2) (pos.F1). Note 7 added to drawing notes. Centre of gravity added.	CEM	2019-11-19